

## Mixing Station

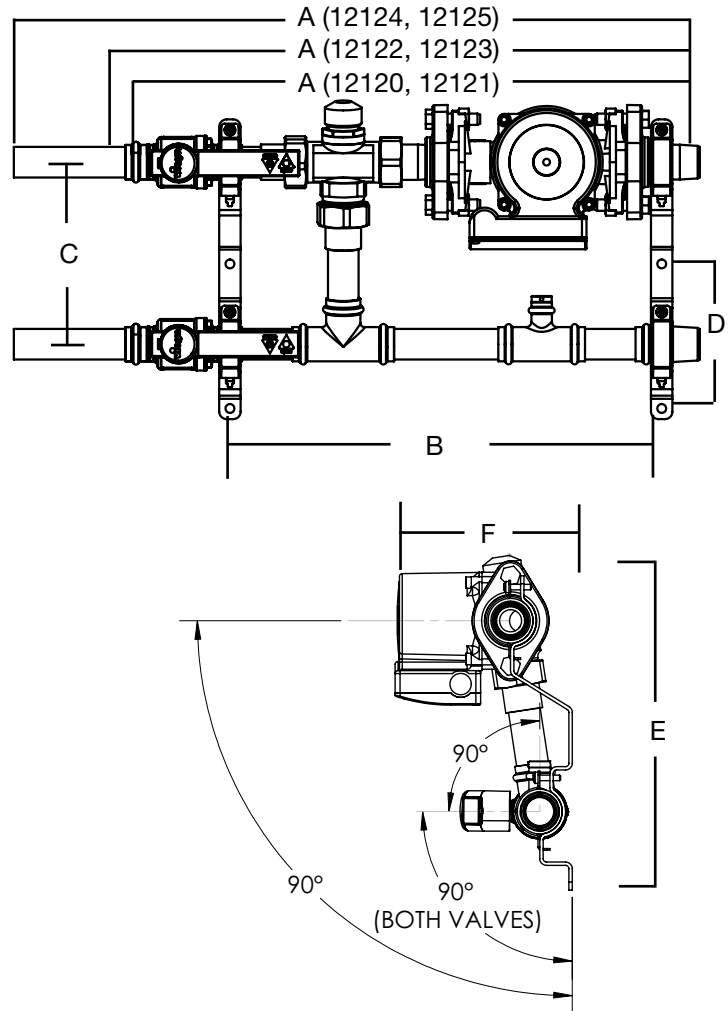
The new Viega Mixing Station provides supply water temperature modulation when connected to a variety of heat sources such as conventional or condensing boilers, water heaters, or geothermal heat pumps. Stations are now available with 3-speed circulator pumps either in high or low head. Boiler connections can be made with ProPress, PEX Press Adapters, or Copper (male) for soldering. Red and blue caps on the ProPress Ball Valves clearly indicate system supply and return connections. A built in sensor well allows easy mounting of the supply temperature sensor for the Basic Heating Control.

### Features

- Ready to Hang, Factory Tested
- Ideal for Direct Connect or Remote Locations
- Can be Manually or Electronically Adjusted
- Versatile Boiler Side Connections
- Compatible with Most Heat Sources

### Specifications

Copper: Type "L" ASTM B88  
 Min Temp: 36°F  
 Max Temp: 180°F  
 Max Pressure: 100 psi  
 Maximum Glycol Mix: 50%



Stock Code	A(in)	B(in)	C(in)	D(in)	E(in)	F(in)
12120	20.69	16	6.69	5.31	11.72	6.14
12121	20.69	16	6.69	5.31	11.72	6.98
12122	21.67	16	6.69	5.31	11.72	6.14
12123	21.67	16	6.69	5.31	11.72	6.98
12124	24.78	16	6.69	5.31	11.72	6.14
12125	24.78	16	6.69	5.31	11.72	6.98

**Viega... The global leader in plumbing, heating and pipe joining systems**

301 N. Main, 9th Floor • Wichita, KS 67202 • Ph: 800-976-9819 • Fax: 316-425-7618 • www.viega.com

©2011, ProPress®, FostaPEX®, Seapress®, MegaPress®, MegaPressG® and Viega® are registered trademarks of Viega GmbH & Co. PureFlow®, Smart Connect®, Climate Panel®, Climate Mat®, Climate Trak®, MANABLOC®, Radiant Wizard®, S-no-Ice®, Snap Panel®, XL® and XL-C® are registered trademarks of Viega LLC. MiniBloc®, ProRadiant®, PolyAlloy®, SmartLoop® and Zero Lead® are trademarks of Viega LLC; GeoFusion™, ProPressG™ and ViegaPEX™ are trademarks of Viega GmbH & Co. KG.

## Technical Data

### 3-Speed Low Head Circulator Pump

Flow Range: 0 - 17.5 U.S. GPM

Head Range: 0 - 19 feet

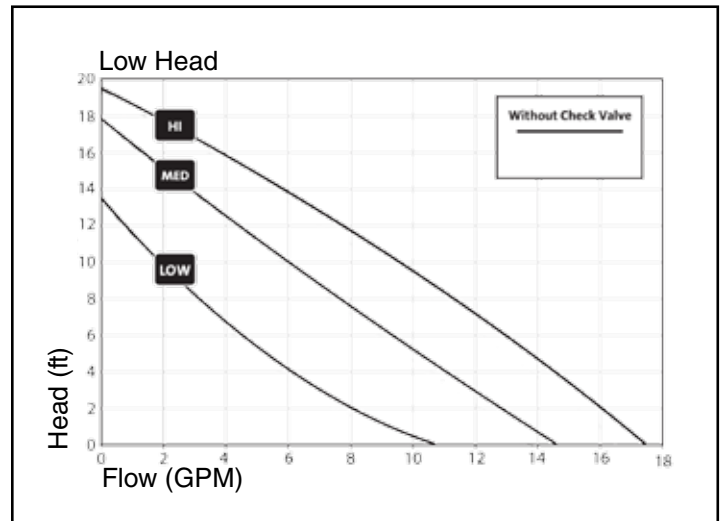
Motor: 2 Pole, Single Phase, 120V

Maximum fluid temperature: 230°F (110°C)

Minimum fluid temperature: 36°F (2°C)

Maximum working pressure: 145 PSI

Stock Code	SPEED	AMPS	WATTS	HP
12126	HI	0.75	87	1/25
	MED	0.66	80	1/25
	LOW	0.55	60	1/25



### 3-Speed High Head Circulator Pump

Flow Range: 0 - 34 U.S. GPM

Head Range: 0 - 30 feet

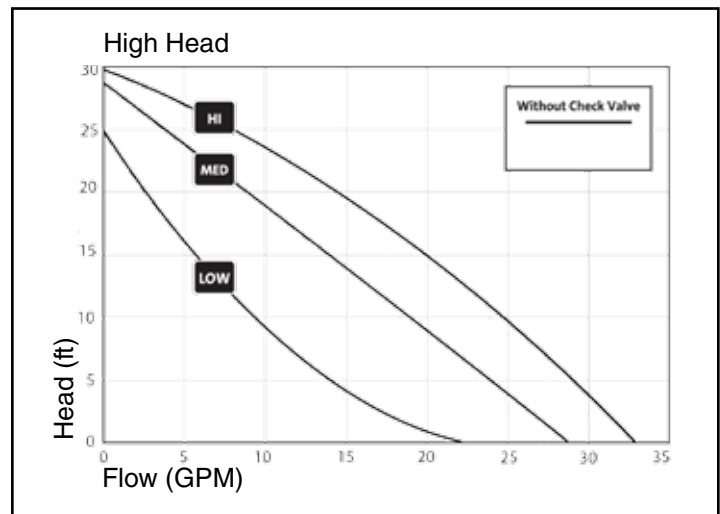
Motor: 2 Pole, Single Phase, 120V

Maximum fluid temperature: 230°F (110°C)

Minimum fluid temperature: 36°F (2°C)

Maximum working pressure: 145 PSI

Stock Code	SPEED	AMPS	WATTS	HP
12127	HI	1.8	197	1/6
	MED	1.5	179	1/6
	LOW	1.3	150	1/6



**Viega... The global leader in plumbing, heating and pipe joining systems**

301 N. Main, 9th Floor • Wichita, KS 67202 • Ph: 800-976-9819 • Fax: 316-425-7618 • [www.viega.com](http://www.viega.com)

©2011, ProPress®, FostaPEX®, Seapress®, MegaPress®, MegaPressG® and Viega® are registered trademarks of Viega GmbH & Co. PureFlow®, Smart Connect®, Climate Panel®, Climate Mat®, Climate Trak®, MANABLOC®, Radiant Wizard®, S-no-Ice®, Snap Panel®, XL® and XL-C® are registered trademarks of Viega LLC. MiniBloc®, ProRadiant®, PolyAlloy™, SmartLoop™ and Zero Lead™ are trademarks of Viega LLC; GeoFusion™, ProPressG™ and ViegaPEX™ are trademarks of Viega GmbH & Co. KG.

# TechData

**viega**



# Outlets	Mixing Station Stainless Manifold
1 outlets	N/A
2 outlets	28.89**
3 outlets	30.89**
4 outlets	32.89**
5 outlets	34.79**
6 outlets	36.79**
7 outlets	38.79**
8 outlets	40.69**
9 outlets	42.69**
10 outlets	44.69**
11 outlets	46.59**
12 outlets	48.59**

\*Dimensions based off stock code 12120/12121  
 \*\*When using stock code 12122/12123, add .98"  
 \*\*\*When using stock code 12124/12125, add 4.27"

## Materials

Description	Stock Code
ProPress 1" Ball Valves (2)	19688
ProPress 1" Tee	77412
ProPress 1" x 1/2" Tee	77432
ProPress 1" C x M NPT	77482
Sensor Well Set	12128
3 Speed Circulator Pump	12126 (low), 12127 (high)
Diverting Valve	20002
Strap On Temp. Gauge	15055
1" PEX Press x 1" Copper (male)	67560

**Viega... The global leader in plumbing, heating and pipe joining systems**

301 N. Main, 9th Floor • Wichita, KS 67202 • Ph: 800-976-9819 • Fax: 316-425-7618 • [www.viega.com](http://www.viega.com)

©2011, ProPress®, FostaPEX®, Seapress®, MegaPress®, MegaPressG® and Viega® are registered trademarks of Viega GmbH & Co. PureFlow®, Smart Connect®, Climate Panel®, Climate Mat®, Climate Trak®, MANABLOC®, Radiant Wizard®, S-no-Ice®, Snap Panel®, XL® and XL-C® are registered trademarks of Viega LLC. MiniBloc®, ProRadiant®, PolyAlloy™, SmartLoop™ and Zero Lead™ are trademarks of Viega LLC; GeoFusion™, ProPressG™ and ViegaPEX™ are trademarks of Viega GmbH & Co. KG.